



**特徴** SOJパッケージ採用、表面実装型で省スペース



ADF-NFH Series

**仕様**

**組込ロジック**

TTL 74S04D

**電源電圧**

DC 5.0V ± 0.5V

**消費電流**

20mA typ. (Vcc = 5.0V)

**ファンアウト**

10 TTL

**環境条件**

**動作温度範囲**

0°C ~ +70°C

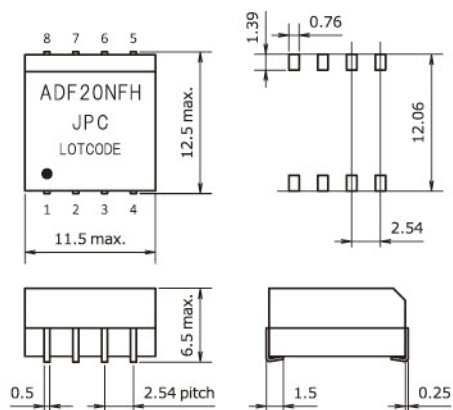
**保存温度範囲**

-20°C ~ +85°C

**電気的特性 ELECTRICAL SPECIFICATION** Ta = 25°C

Part Name	Total Td [ns]	Tap to Tap Td[ns]	Rise Time [ns] Max.	MIN. Pulse Width [ns]
ADF20NFH	20 ± 2	4 ± 2	4	8
ADF25NFH	25 ± 3	5 ± 2	4	10
ADF50NFH	50 ± 3	10 ± 2	4	20
ADF60NFH	60 ± 3	12 ± 3	4	24
ADF75NFH	75 ± 3.5	15 ± 3	4	30
ADF100NFH	100 ± 5	20 ± 3	4	40
ADF125NFH	125 ± 6	25 ± 3	4	50
ADF150NFH	150 ± 7.5	30 ± 3	4	60
ADF200NFH	200 ± 10	40 ± 3	4	80
ADF250NFH	250 ± 12.5	50 ± 3	4	100

**外形図 Dimensions** [mm] typ.



**結線図 Connecting diagram**

