



- 絶縁抵抗**
100MΩ min. DC 50V
- 温度係数**
±100 PPM/°C Max.
- 動作温度範囲**
0°C ~ +70°C
- 保存温度範囲**
-20°C ~ +85°C

特徴

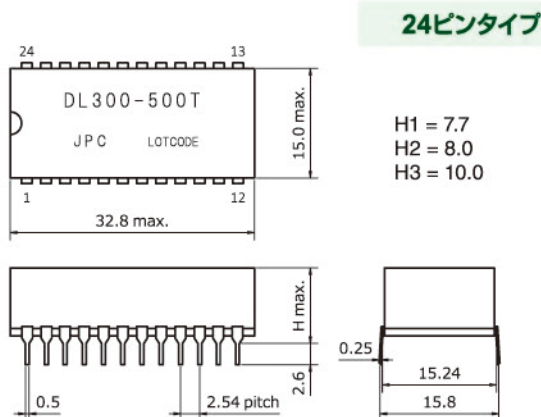
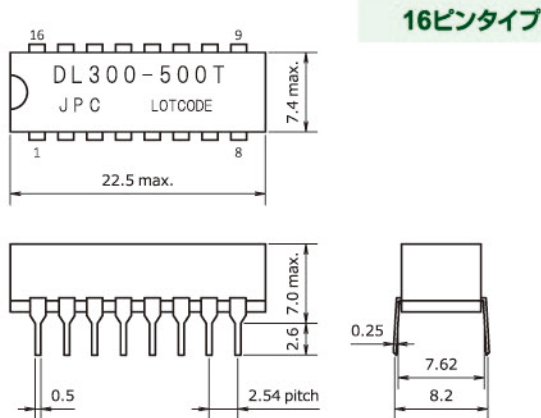
DIP16/24ピンのパッケージで、遅延時間50ns~5μsまで対応しています



電気的特性 ELECTRICAL SPECIFICATION Ta = 25°C

Part Name	Impedance [Ω] ±10%	Total Td [ns]	Tap to Tap Td[ns]	Rise Time [ns] Max.	Distortion [%] Max.	Attenuation [%] Max.	Hight
SDL300-500T	300	50 ± 3	5 ± 1	13	15	10	-
SDL300-101T		100 ± 5	10 ± 2	20	15	10	-
SDL300-201T		200 ± 10	20 ± 2	35	15	10	-
SDL300-101T-24	300	100 ± 5	5 ± 1	13	15	10	H1
SDL300-201T-24		200 ± 10	10 ± 2	23	15	10	H1
SDL300-501T-24		500 ± 25	25 ± 3	60	15	10	H2
SDL300-102T-24		1000 ± 50	50 ± 5	140	15	10	H2
SDL300-202T-24		2000 ± 50	100 ± 10	280	15	10	H2
SDL300-302T-24		3000 ± 50	150 ± 10	300	15	10	H2
SDL300-402T-24		4000 ± 80	200 ± 20	400	15	10	H2
SDL300-502T-24		5000 ± 100	250 ± 20	500	15	10	H3

外形図 Dimensions [mm] typ.



結線図 Connecting diagram

